

Product

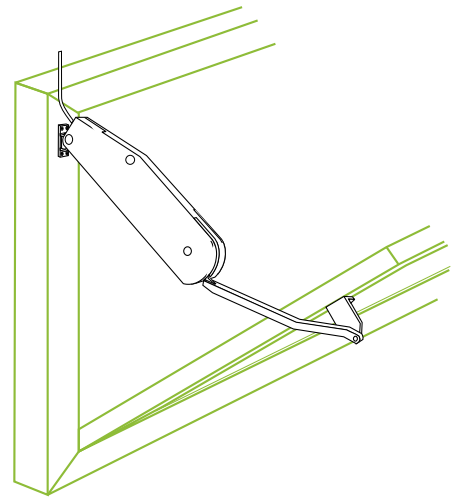
Folding Arm

Information

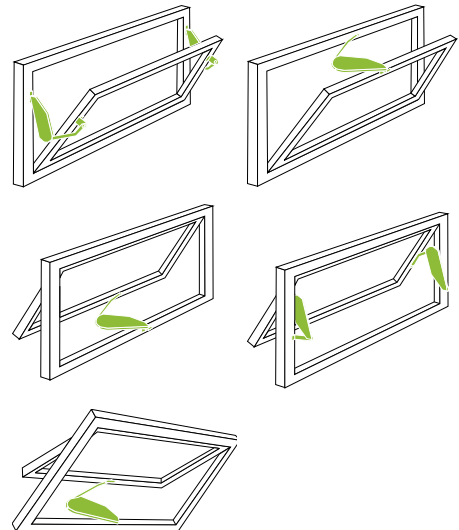
The Folding Arm is an entirely new drive technology offering the versatility to control all types of sashes with a compact design. The 24VDC motor is suitable for both daily ventilation and smoke control applications. Opening stroke is adjustable between 250mm and 600mm and operating force is between 500N and 800N. Fire tested at 300 degrees Celsius for 30 minutes

Technical data

Voltage	24VDC
Current	1.2A
Speed	800N approx 5.7mm/sec 500N approx 9.6mm/sec
Protection class	IP64
Cut off	Load dependent
Max force	500/800N
Colour and housing	RAL 9006, die cast aluminium
Dimensions	410L x 135W x 43H mm
Stroke	600mm adjustable to 500,450,350,250mm
Opening angle	Up to 90°
Weight	Approx 3.5kg

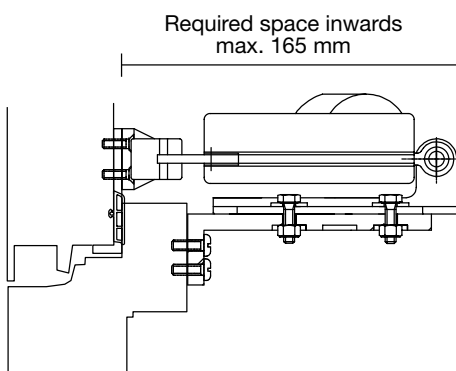


Application



Installation

Installed to open outwards



Installed to open inwards

